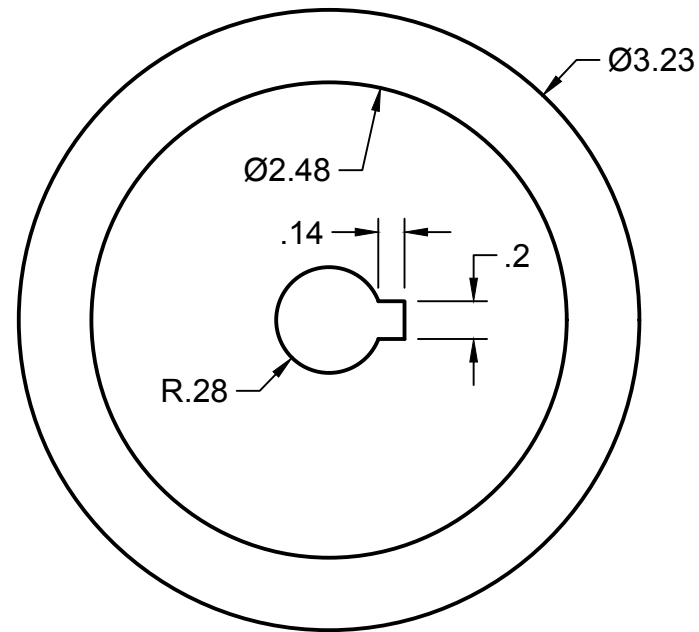
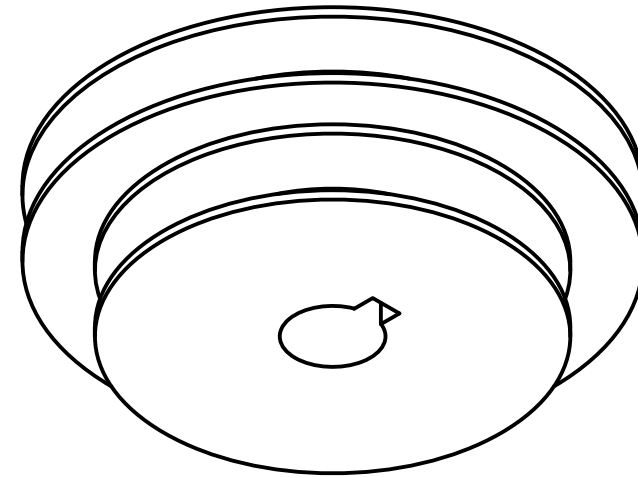
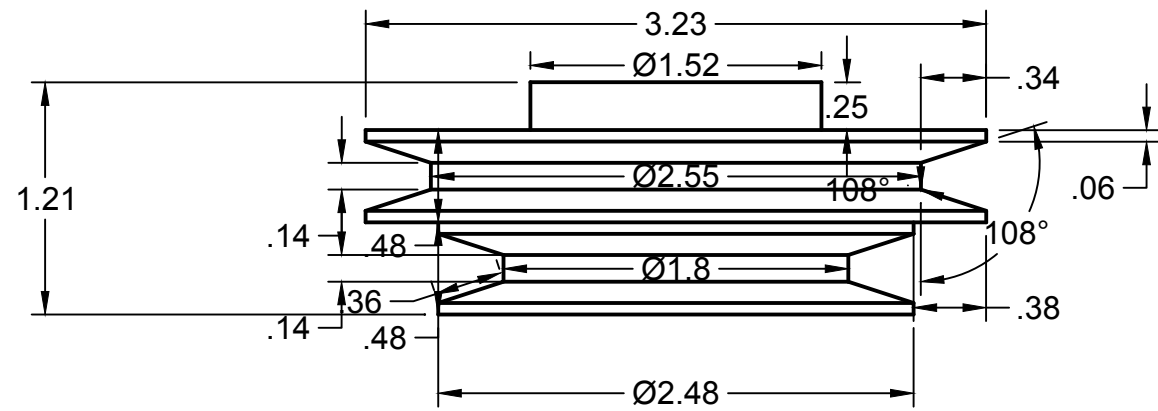
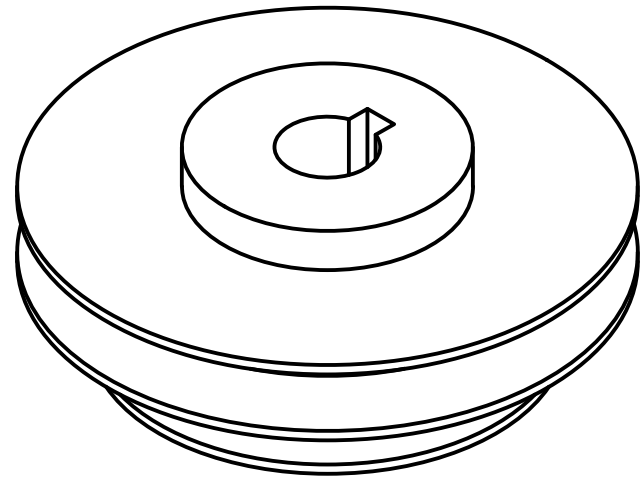
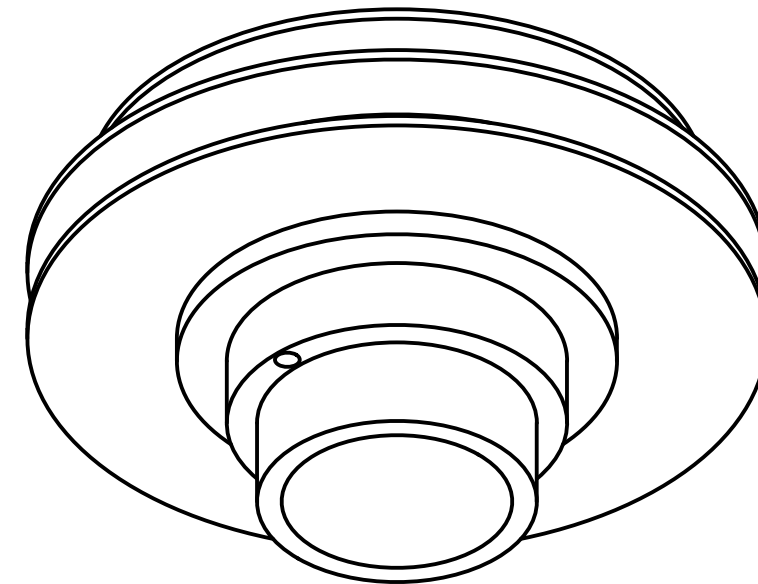
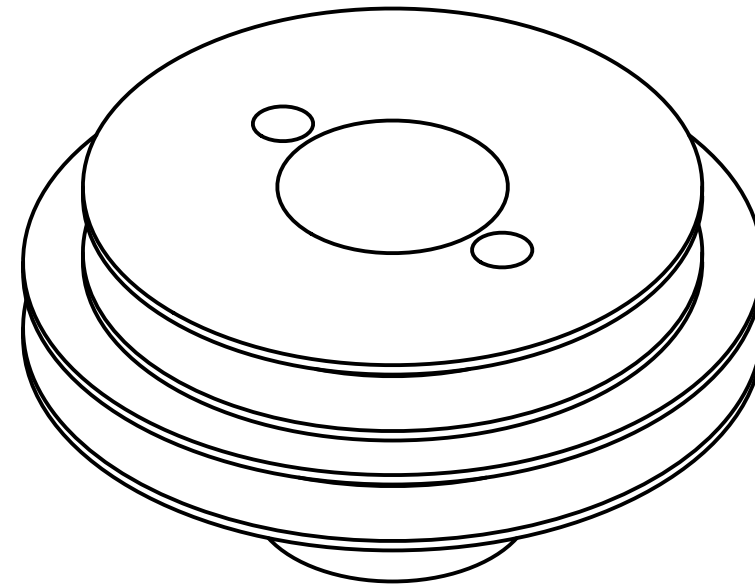
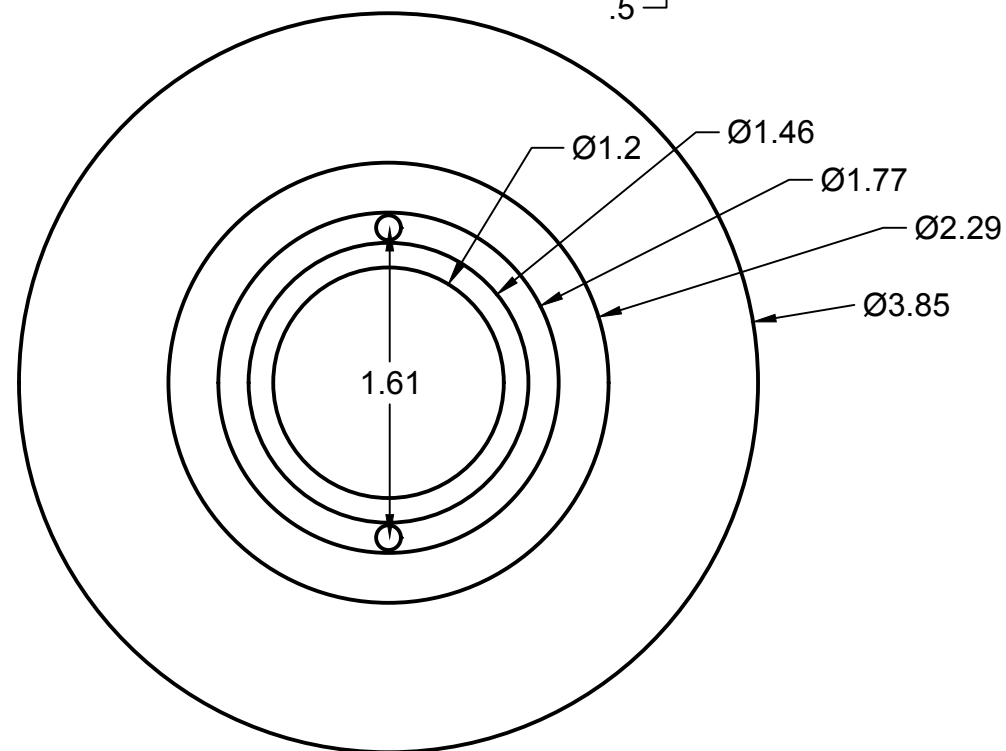
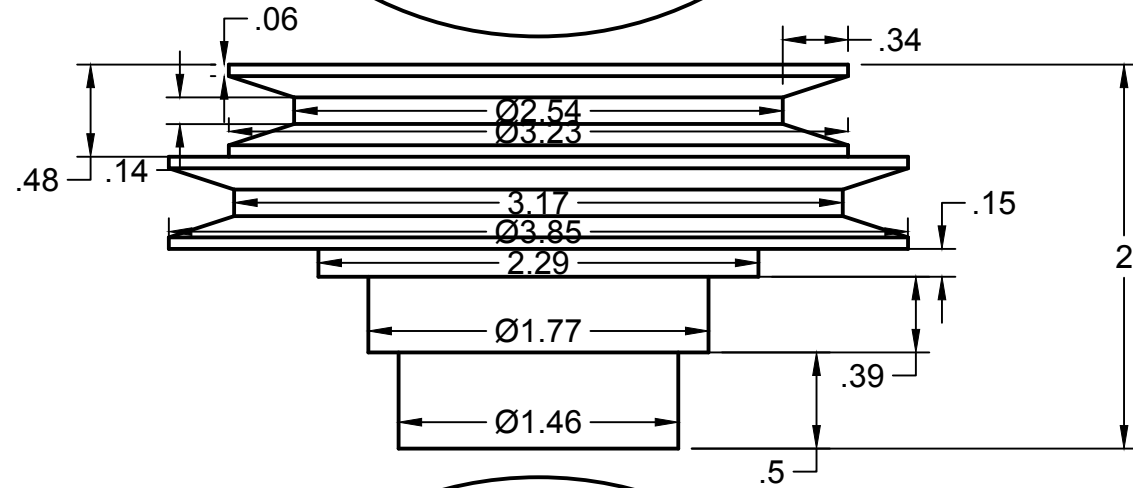
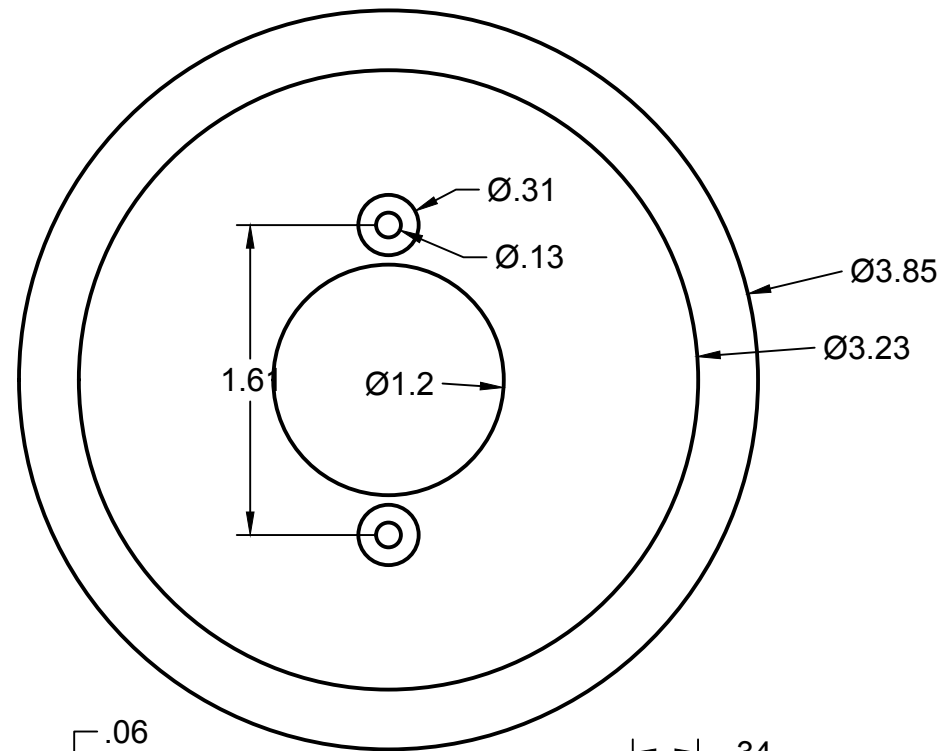


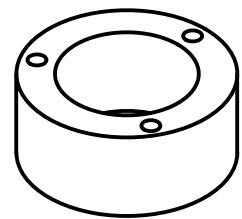
		PROJECT			
		G0704			
		TITLE			
		G0704 Pully Conversion Sensor Ring			
APPROVED	SIZE	CODE	DWG NO	REV	
CHECKED	B				
DRAWN	Nathan Tsoi	6/16/22	SCALE 1:1	WEIGHT	
			SHEET 1/6		



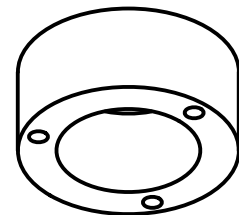
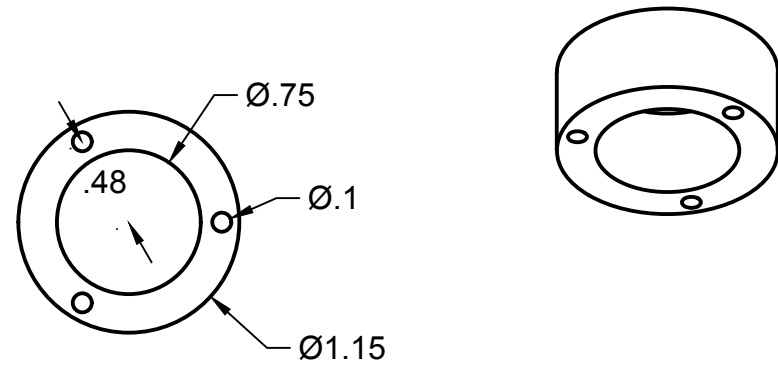
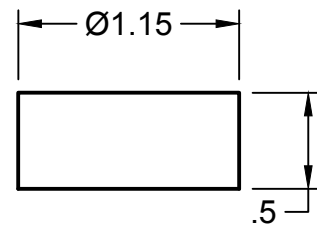
		PROJECT		
		G0704		
		TITLE		
		G0704 Pully Conversion BackPully		
APPROVED	SIZE	CODE	DWG NO	REV
CHECKED	B			
DRAWN Nathan Tsoi	6/16/22	SCALE 1:1	WEIGHT	SHEET 2/6



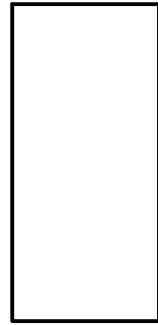
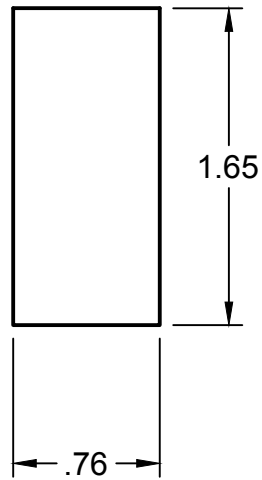
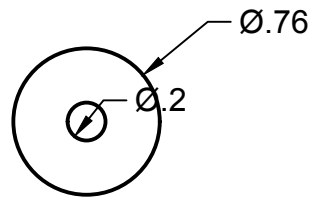
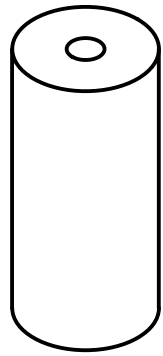
		PROJECT			
		G0704			
		TITLE			
		G0704 Pully Conversion FrontPully			
APPROVED	SIZE	CODE	DWG NO	REV	
CHECKED	B				
DRAWN	Nathan Tsoi	6/16/22	SCALE 1:1	WEIGHT	
			SHEET 3/6		



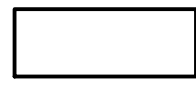
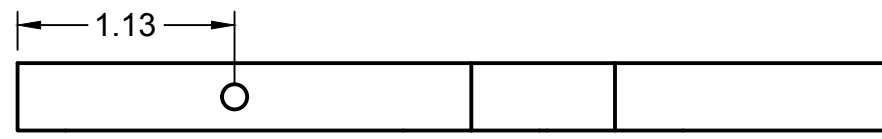
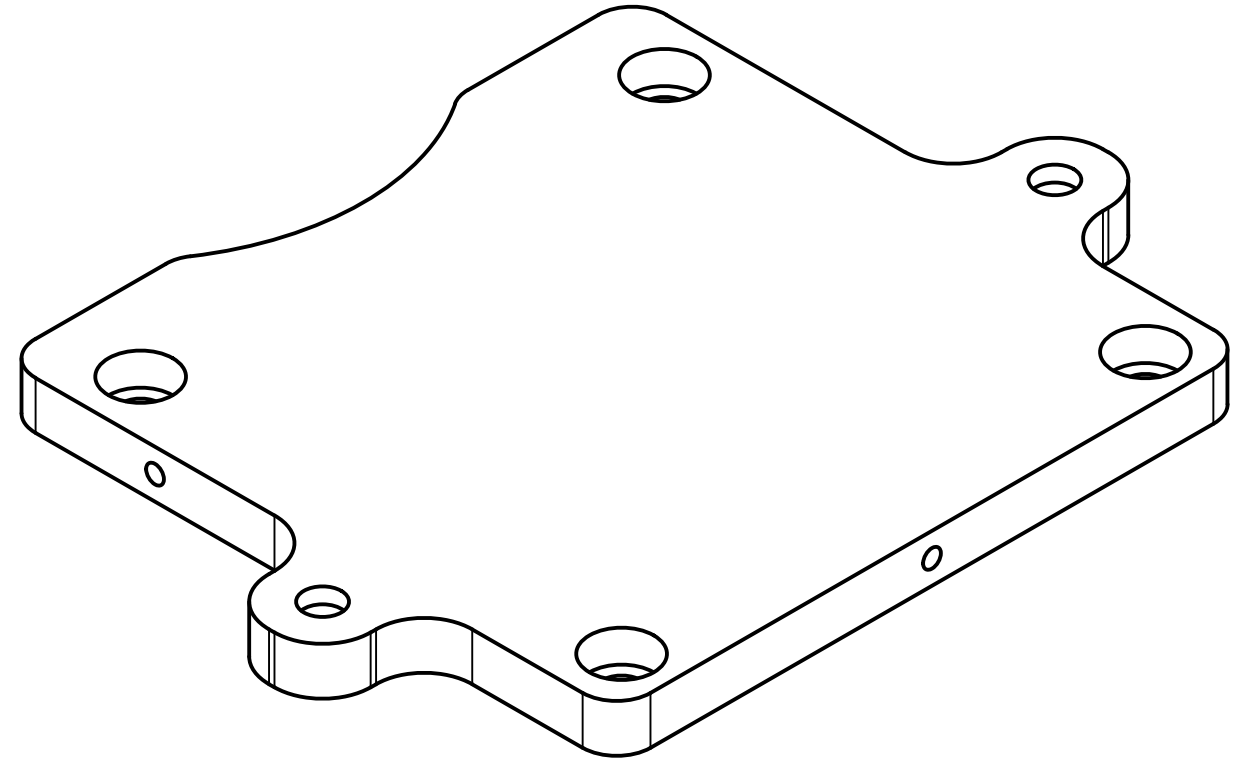
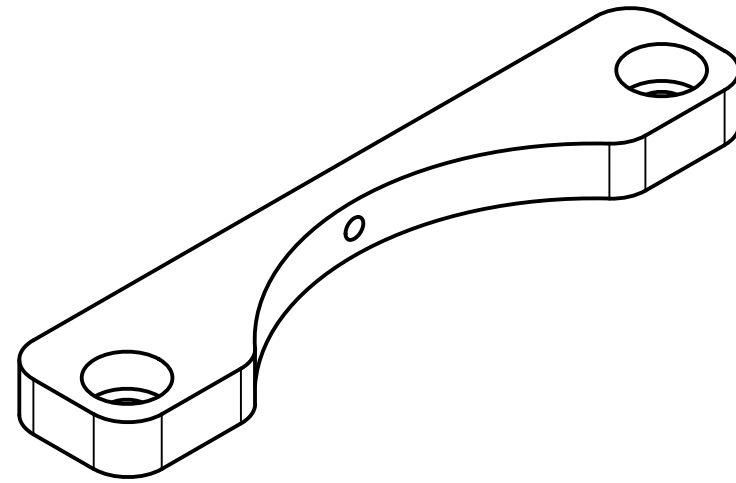
Thread 20mm x 1mm



		PROJECT			
		G0704			
		TITLE			
		G0704 Pully Conversion Draw Bar Nut			
APPROVED		SIZE	CODE	DWG NO	REV
CHECKED		B			
DRAWN	Nathan Tsoi	6/16/22	SCALE 1:1	WEIGHT	SHEET 4/6



	PROJECT G0704			
	TITLE G0704 Pully Conversion Draw Bar Nut			
APPROVED	SIZE	CODE	DWG NO	REV
CHECKED	B			
DRAWN Nathan Tsoi 6/16/22	SCALE 1:1	WEIGHT	SHEET 5/6	



		PROJECT			
		G0704			
		TITLE			
		G0704 Pully Conversion Draw Bar Nut			
APPROVED		SIZE	CODE	DWG NO	REV
CHECKED		B			
DRAWN	Nathan Tsoi	6/16/22	SCALE 1:1	WEIGHT	SHEET 6/6